

Model: XR-340, XR-430, XR-C900**No.** 411**Subject:** AVAILABILITY OF EXTENSION CABLES**Date:** December 4, 1996**Symptom:**

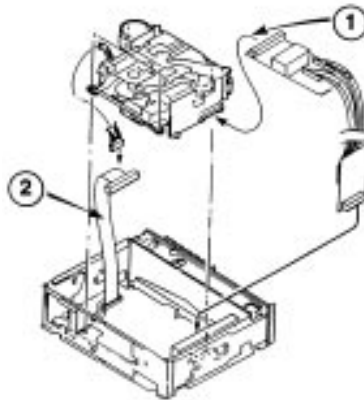
(**)

Extension cables for debugging the listed models, are now available.

Solution:

Order the extension cables listed in the table below.

	DESCRIPTION	PART NUMBER
1	EXTENSION CABLE THAT WILL CONNECT MECH. DECK TO MAIN MOUNT	J-2502-015-1
2	EXTENSION CABLE THAT WILL CONNECT THE MOTOR CONNECTOR OF MECH. DECK TO MAIN MOUNT	J-2502-015-2

**APPLICABLE MODEL:**

MODEL NAME	COMMENTS
XR-340, XR-430	extension cables 1 and 2 are applicable.
XR-C900	extension cable 1 only applicable for this model.